

# HX21 & HX21SP SERIES

Large Load Trending with 4 to 20 mA Output



H321



Hawkeye x21/x21SP analog current transducers provide reliable load trending information for large motor loads (up to 2400 A), with a proportional 4 to 20 mA signal. Three devices are available, each with a different amperage range. The Hx21 versions include a span potentiometer that allows each sensor to be calibrated for maximum resolution. The Hx21SP versions are factory-calibrated at a range specified by the customer.

## SPECIFICATIONS

Sensor Power	30 mA (max) @ 12 to 30 Vdc
Insulation Class	600 Vac RMS (UL), 300 Vac RMS (CE <sup>1</sup> )
Frequency Range	50/60 Hz
Temperature Range	-15 to 60 °C (5 to 140 °F)
Humidity Range	10 to 90% RH, non-condensing
Accuracy	±2% from 10 to 100% of full scale
Response Time	2 sec.
Terminal Block Wire Size	12 AWG (3.3 mm <sup>2</sup> ) - 22 AWG (0.33 mm <sup>2</sup> )
Terminal Block Torque	7 to 8 in-lbs (0.8 to 0.9 N-m)

## WARRANTY

Limited Warranty	5 years
------------------	---------

## AGENCY APPROVALS

Agency Approvals	UL 508 open device listing, CE: EN61010-1, (H221, H321 only)CAT III, Pollution Degree 2, basic insulation
------------------	---



1. The CE mark indicates RoHS2 compliance. Please refer to the CE Declaration of Conformity for additional details.

## Split-core design

Split-core design for easy installation and fast retrofits

## No need for external CTs

No need for external CTs on large conductors

## Large openings

Large openings for heavy conductors

## Loop powered

Loop powered 4 to 20 mA output

## Two-wire design

Two-wire design reduces wiring cost

## Field flexibility

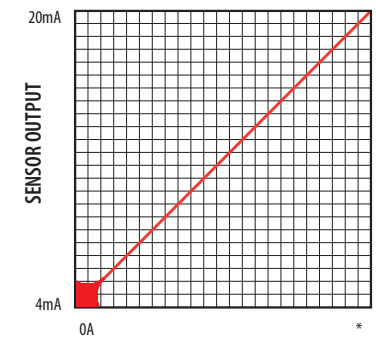
Hx21 models offer zero and span adjustments for field flexibility

## APPLICATIONS

- Load trending of large motors and other loads up to 2400 A
- Monitor critical motors (compressor, fuel, etc.)

## EXAMPLE LINEAR OUTPUT

Scale software as shown

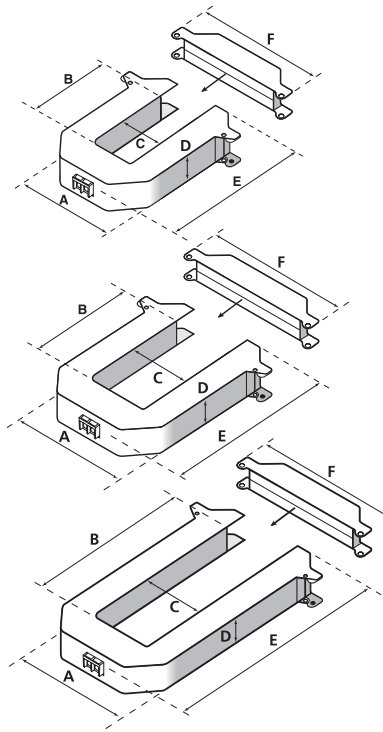


\*Adjusted with Span Potentiometer for Hx21 models;  
Factory-set per customer specification for Hx21SP models

100 to 300A (H221/H221SP)  
300 to 800A (H321/H321SP)  
1000 to 2400A (H421/H421SP)



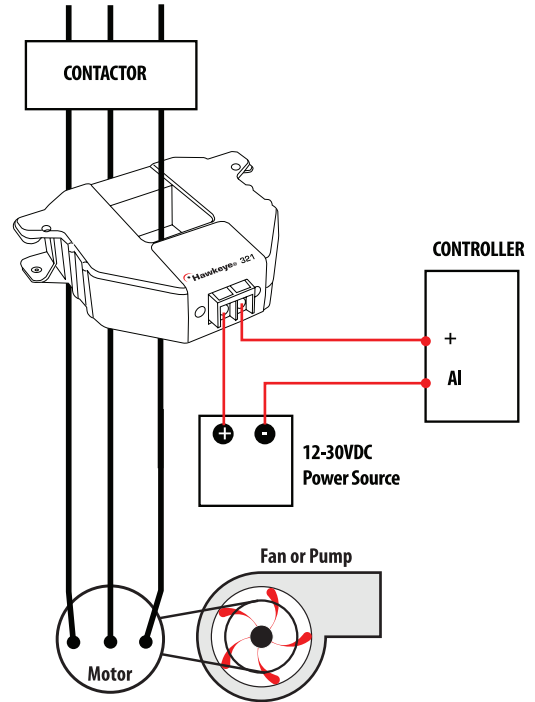
**DIMENSIONAL DRAWING**



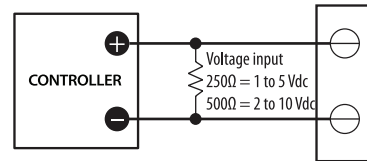
H221	H321	H421
A = 3.7" (94 mm)	A = 4.9" (124 mm)	A = 4.9" (124 mm)
B = 1.6" (40 mm)	B = 2.9" (75 mm)	B = 5.5" (141 mm)
C = 1.4" (35 mm)	C = 2.5" (63 mm)	C = 2.5" (65 mm)
D = 1.1" (29 mm)	D = 1.2" (29 mm)	D = 1.1" (29 mm)
E = 4.2" (106 mm)	E = 5.5" (140 mm)	E = 8.1" (206 mm)
F = 4.7" (120 mm)	F = 6.0" (151 mm)	F = 6.0" (151 mm)

**MONITORING FAN /PUMP MOTORS LOADS**

Wiring Diagram



Voltage Output



**ORDERING INFORMATION**

MODEL	AMPERAGE RANGE	SENSOR OUTPUT	HOUSING	UL	CE	LEAD FREE	
	4 mA (Lower Limit) / 20 mA (Upper Limit)						
H221	100 to 300 A	4 to 20 mA DC	Split-core	• <sup>1</sup>	•		
H221SP	100, 150, 200, 250, or 300 A <sup>2</sup>			• <sup>1</sup>	•		
H321	300 to 800 A			• <sup>1</sup>	•		
H321SP	300, 400, 500, 600, 700, or 800 A <sup>2</sup>			• <sup>1</sup>	•		
H421	1000 to 2400 A						•
H421SP	1000, 1200, 1400, 1600, 1800, 2000, 2200, or 2400 A <sup>2</sup>						•

1. Listed for use on 75 °C insulated conductors.

2. Factory calibrated - not field adjustable.

Note: When ordering HxxxSP versions, specify upper current limit for factory calibration (device is not field adjustable).

